

DOC CLASSIC PRO

SURGERY CHAIR



DOC CLASSIC PRO
MOBILE SURGERY CHAIR
DESIGNED FOR PROCEDURES TO
EYE, NOSE, EAR, MOUTH & FACE

THE ULTIMATE
TREATMENT
SYSTEM
FOR YOUR
DEPARTMENT



DOC CLASSIC PRO

SURGERY CHAIR

The DOC, Dynamic Operating Chair is both an operating chair and table and was developed specifically for day surgery treatment. This unique product saves time; eliminates manual handling and the risk of back injury to clinical personnel, it offers a very high level of patient comfort and equally importantly reduces

operating costs by improving efficiency. The DOC is suitable for ophthalmology, ENT, oral and plastic surgery. By using multiple operating chairs, patients can effortlessly flow from the Day Surgery Unit to the operating theatre and back ensuring maximum utilization of operating facilities.

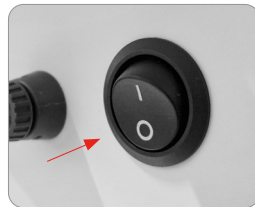
DOC SAFETY

The DOC Classic Pro is leading in terms of safety. The chair is equipped with essential safety features.



MOBILITY

The special wheels with electro mechanical brakes can be unlocked manually on site. This allows you to move the chair from its position at any time.



ON / OFF SWITCH

Easy on / off switch which ensures maximum safety during surgery. The DOC cannot be moved whilst in use.



SAFETY LOCKING

The connector plug of the charging unit is equipped with a safety locking mechanism.



HYGIENE

The hand control is fully sealed and reduces the risk of infection.

DOC ADVANTAGES



admission



transport



pre operative

The DOC Classic Pro is unique and offers many advantages. It facilitates the whole clinical process; from admission and preoperative treatment to surgery and recovery. The patient stays in the DOC during the entire procedure.

1. Before and after surgery there is no need to use an additional bed or stretcher, this saves time and capital investment.



surgery



transport



recovery

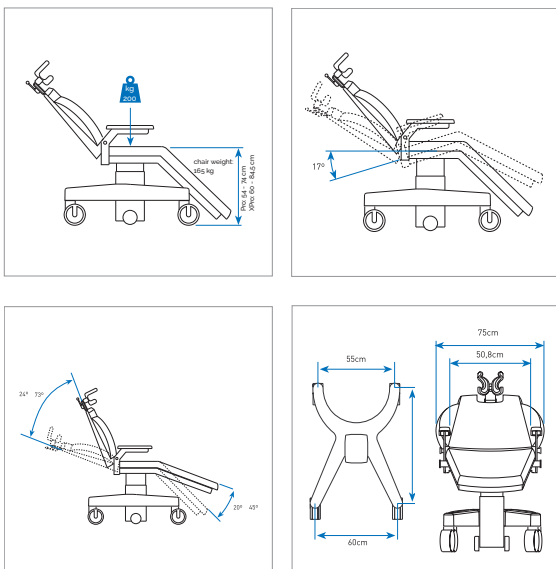
2. Transfer of the patient from a stretcher to the operating table becomes irrelevant. Therefore very ergonomic for all clinical nursing staff and patient.

3. Efficiency will increase significantly by 40-50% using multiple DOC operating chairs.

DOC CLASSIC PRO

SURGERY CHAIR

OPTIONAL ACCESSORIES



- Electric foot control
- Lumbar support in back upholstery
- Anaesthesia arm support
- Oxygen coverbow
- Wrist support surgeon
- Trapezium shaped back upholstery
- IV-Pole with ball-joint



TECHNICAL SPECIFICATIONS

Weight capacity - dynamic	max. 200 kg
Wheelbase	80 x 55 cm
Height DOC Classic Pro	54 - 74 cm
Height DOC Classic XPro	60 - 84,5 cm
Seat	60 x 42 cm
Footrest	60 x 65 cm
Backrest	60 x 60 cm
Headrest	14 x 20 cm
Armrests	6,5 x 32 cm
Overall length	165 cm excluding headrest
Wheels	ø 12,5 x 7 cm
Material	Powdercoated steel, RAL 9016
Number of memory positions	5
Power supply	2 x 24 V accu, 7 A
Braking system	Electromechanical

